

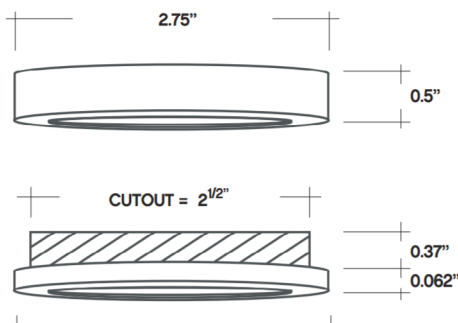
PROJECT NAME:	DATE:	TYPE:
SPECIFIER:	PREPARED BY:	
PART NO.:		



# PUCK LIGHT SERIES

## TBD.P

### 3W LED PUCK LIGHT



- BLACK
- WHITE
- SILVER
- BRONZE
- CHROME
- SATIN NICKEL

TBD.P is a dimmable, eco-friendly puck light that is suitable for recessed or surface mounted applications. With a 1/2" profile, it is a great replacement for hot halogen lighting. A great source of light for cabinet, shelf, counter, and display lighting.

### FEATURES

- 12V DC or 24V DC Input Power
- 3W High Output LED
- 240 Lumens/Ft
- 85+ CRI
- Beam Angle 120°
- Requires Remote TLS Power Supply:
  - Dimmable and Non-Dimmable options available
- Certifications: ETL Listed
- Long Life: 50,000 Hours
- Diffused Frosted Lens
- 24" Lead Wire w/Connector
- 2-1/2" Round Cutout Hole
- 20W Halogen Replacement
- 85% Energy Savings compared to Halogen

### ACCESSORIES



**TBD.P-6AP**  
6-Port Adaptor  
(Sold Separately)



**TBD.P-LNK24**  
24" Extension Wire  
(Sold Separately)

### ORDERING GUIDE

<b>TBD.P</b>	—	—	—
	<b>TEMP</b>	<b>FINISH</b>	<b>VOLTAGE</b>
	27K - 2700K 30K - 3000K 40K - 4000K	WH - White BL - Black SI - Silver BZ - Bronze CH - Chrome SN - Satin Nickel	12 - 12V DC 24 - 24V DC